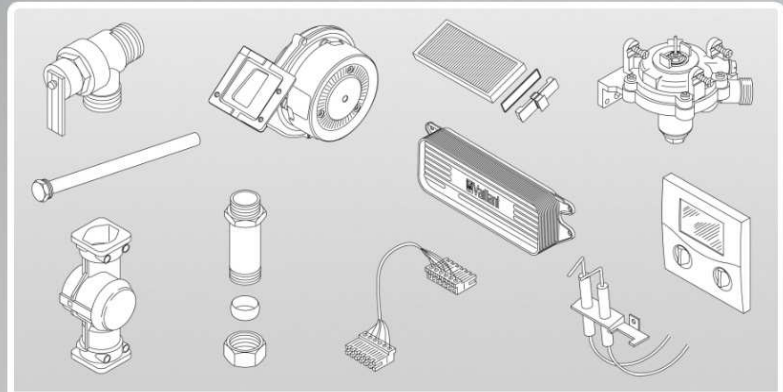


## Wall-hung boilers • Gas-Wandheizgeräte



### ecoTEC exclusive

VC 186/5-7  
VC 206/5-7  
VC 306/5-7  
VC 326/5-7

0020224826\_01 DK 02/2016



# Content

<b>General view of sheet</b>	VC 186/5-7, VC 206/5-7, VC 306/5-7, VC 326/5-7	3
<b>04 Burner, Heat exchanger</b>		4
<b>05 Gas section</b>		6
<b>07 Casing parts</b>		8
<b>08a Hydraulic parts (Hydroblock)</b>		10
<b>08b Hydraulic parts</b>		12
<b>08c Connection parts (Acc.)</b>		14
<b>12 Control box</b>		16
<b>Notes</b>		18

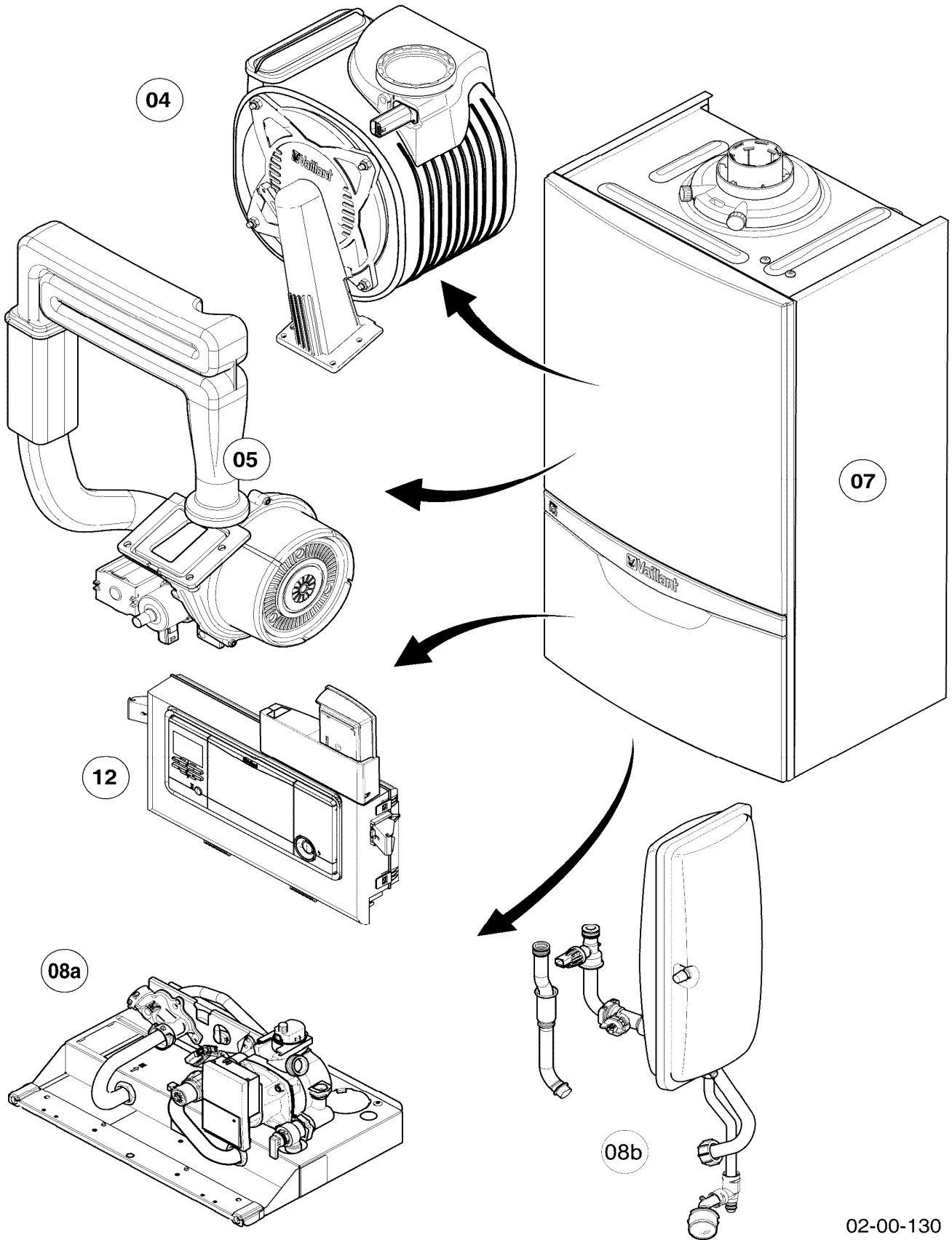
In order to maintain the safe and efficient operation of this appliance, only genuine Vaillant spare parts must be used.

Um alle Funktionen des Vaillant Gerätes auf Dauer sicherzustellen und um den zugelassenen Serienstand nicht zu verändern, / dürfen bei Wartungs- und Instandhaltungsarbeiten nur Original Vaillant Ersatzteile verwendet werden!



# General view of sheet

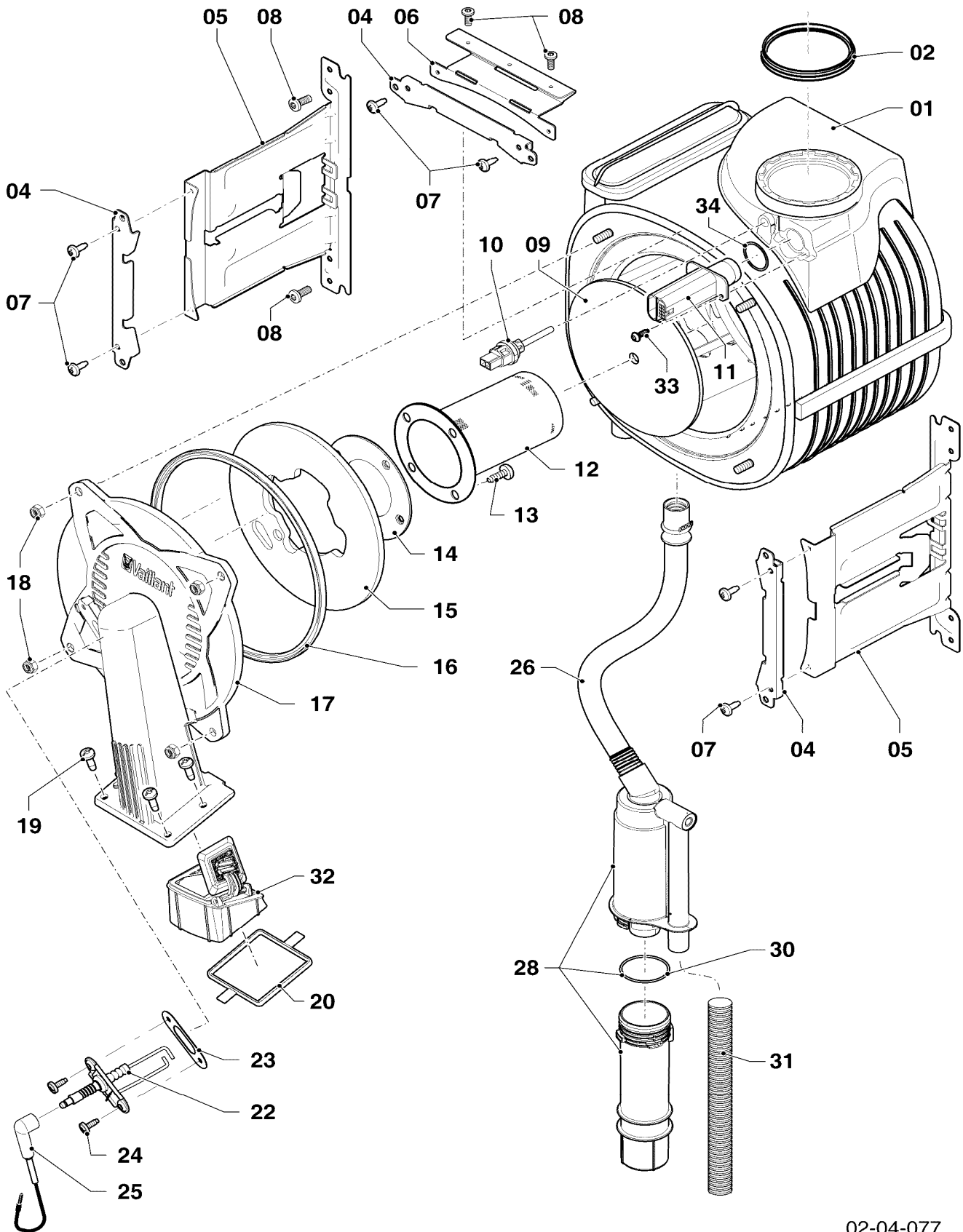
VC 186/5-7, VC 206/5-7, VC 306/5-7, VC 326/5-7



02-00-130

# 04 Burner, Heat exchanger

VC 186/5-7, VC 206/5-7, VC 306/5-7, VC 326/5-7



02-04-077

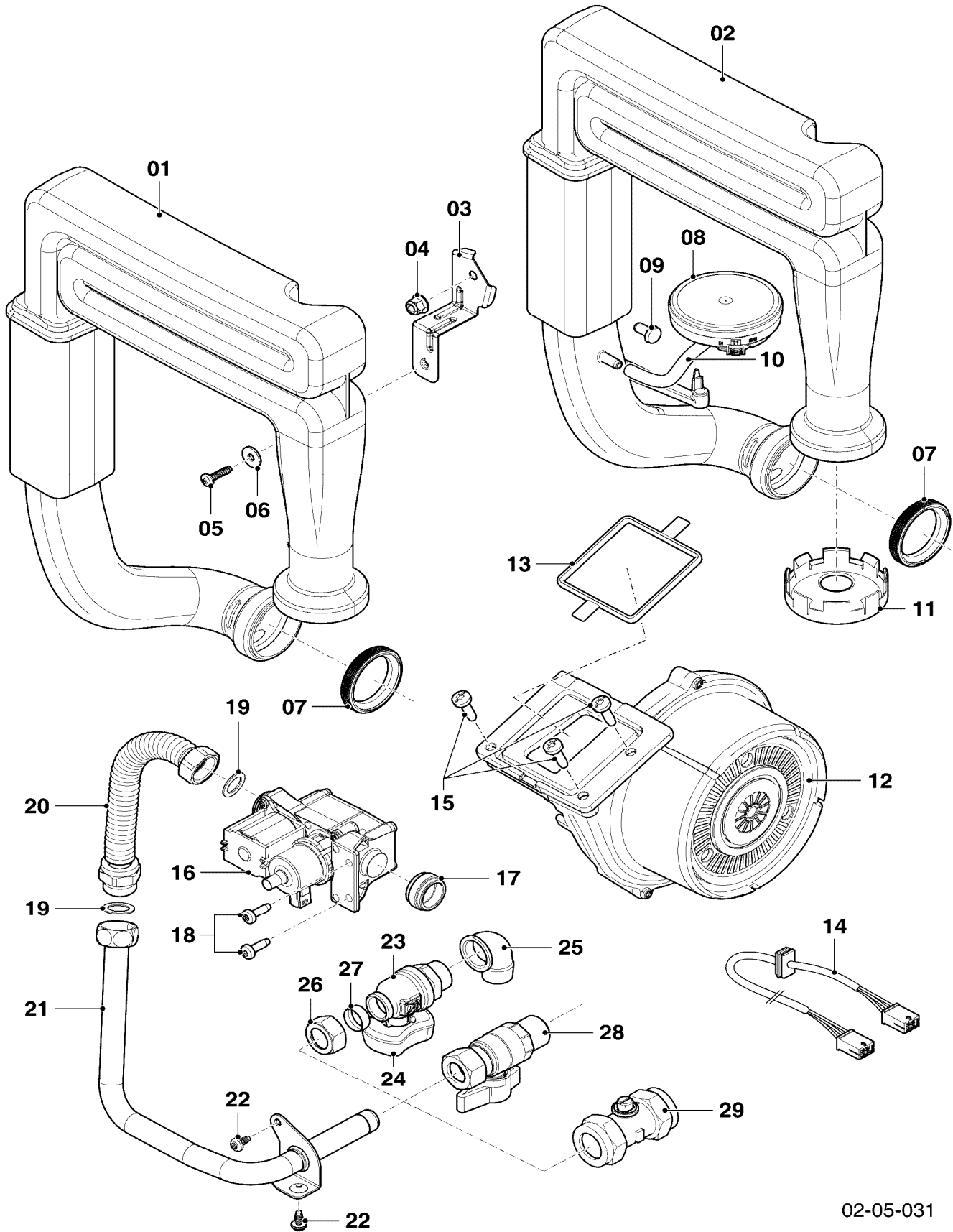
## 04 Burner, Heat exchanger

VC 186/5-7, VC 206/5-7, VC 306/5-7, VC 326/5-7

Pos.	Art.-No / Teile-Nr.	Part / Bezeichnung	Type, note / Typ, Bemerkung
		0204077	
01	0020209506	Heat exchanger	VC 186/5-7, with parts 09,16,18
01	0020209506	Heat exchanger	VC 206/5-7, with parts 09,16,18
01	0020209507	Heat exchanger	VC 306/5-7, with parts 09,16,18
01	0020209508	Heat exchanger	VC 326/5-7, with parts 09,16,18
02	981227	Sealing ring EPDM (DN 80)	
04	0020135117	Clip support PHE	with part 07
05	0020135112	Support PHE	VC 186/5-7, with parts 07,08
05	0020135112	Support PHE	VC 206/5-7, with parts 07,08
05	0020135113	Support PHE	VC 306/5-7, with parts 07,08
05	0020135114	Support PHE	VC 326/5-7, with parts 07,08
06	-	-	not for these appliances
07	0020133828	Screw, (PK10)	
08	0020136643	Screw, (PK10)	
09	0020143489	Insulation, 16 mm with clips	
10	-	-	not for these appliances
11	0020209505	Sensor	with parts 33,34
12	0020223029	Burner	VC 186/5-7, with parts 13,14
12	0020223029	Burner	VC 206/5-7, with parts 13,14
12	0020223030	Burner	VC 306/5-7, with parts 13,14
12	0020209526	Burner	VC 326/5-7, with parts 13,14
13	105900	Screw, (PK10)	
14	981103	Gasket burner	
15	193595	Insulation	with parts 13,14
16	0020025929	Gasket kit	with part 18
17	0020135118	Flange	with parts 13,14,16,18,19,20,21,23,24
18	0020026537	Nut, M6 (PK5)	
19	193597	Screw, (PK10)	
20	193594	Gasket	
22	0020133816	Electrode	with parts 23,24
23	981330	Gasket electrode	
24	118937	Pan head screw (M 5x12)	
25	0020135119	Cable, ignition	
25	0020075412	Plug (ignition)	
26	-	-	not available as spare part, see pos. no. 28
28	0020184119	Siphon/trap	with part 26
30	0020077919	O-ring, (PK5)	
31	0020144602	Hose, condensate	
32	-	-	not for DK
33	0020218790	Screw, (PK10)	
34	0020218793	Gasket	

## 05 Gas section

VC 186/5-7, VC 206/5-7, VC 306/5-7, VC 326/5-7



02-05-031



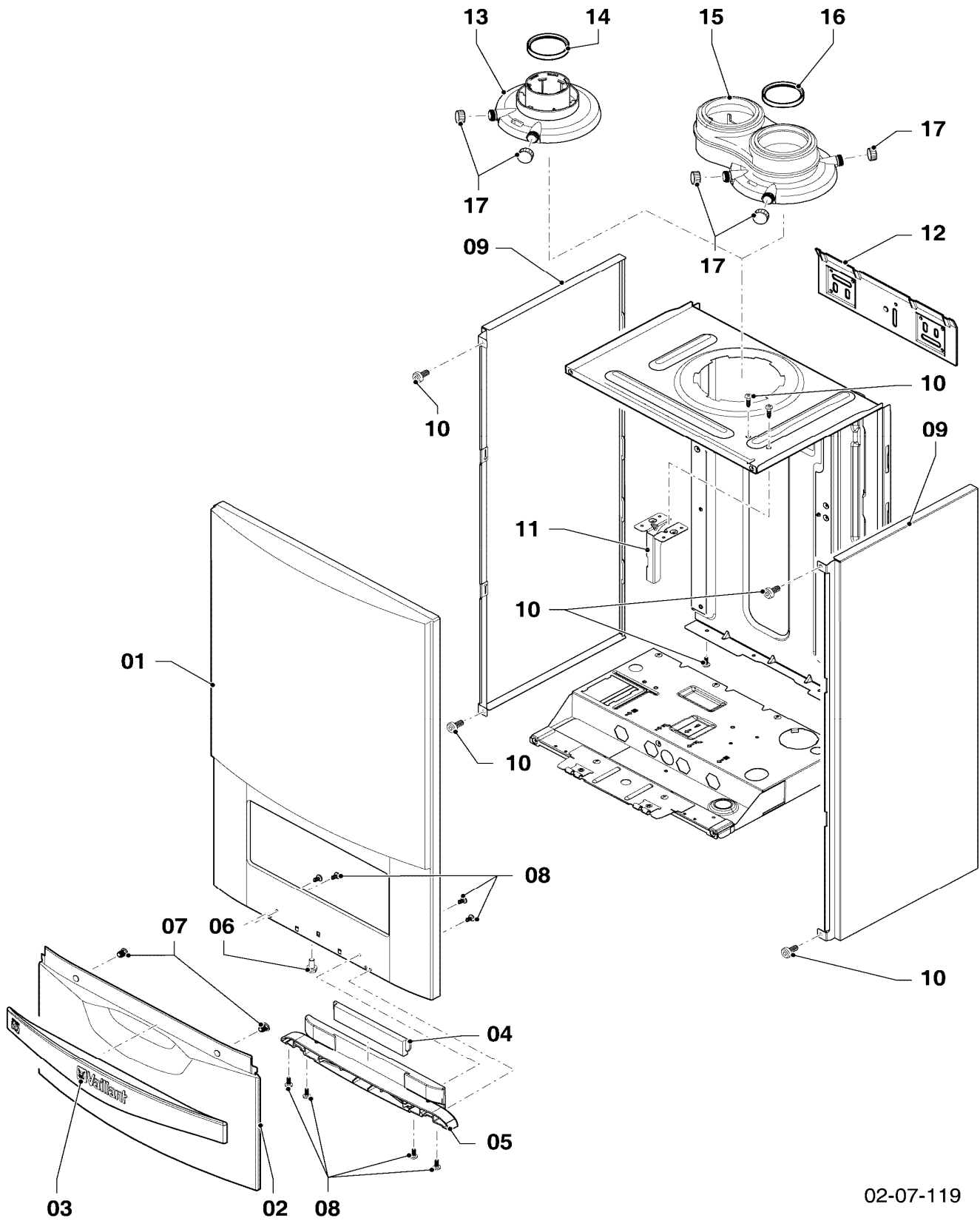
## 05 Gas section

VC 186/5-7, VC 206/5-7, VC 306/5-7, VC 326/5-7

Pos.	Art.-No / Teile-Nr.	Part / Bezeichnung	Type, note / Typ, Bemerkung
		0205031	
01	0020223032	Air inlet duct	VC 186/5-7
01	0020223032	Air inlet duct	VC 206/5-7
01	0020223033	Air inlet duct	VC 306/5-7
01	0020223033	Air inlet duct	VC 326/5-7
02	-	-	not for DK
03	0020135151	Support air inlet duct	with parts 04,05,06
04	0020026537	Nut, M6 (PK5)	
05	0020133833	Screw, (PK10)	
06	0020135152	Washer, (PK10)	
07	0020135149	Gasket air inlet duct	
08	-	-	not for DK
09	-	-	not for DK
10	-	-	not for DK
11	-	-	not for DK
12	0020209512	Fan	with parts 13,15,18
13	193594	Gasket	
14	-	-	not for these appliances
15	193597	Screw, (PK10)	
16	0020209513	Gas control valve	VC 186/5-7, with parts 17,18,19
16	0020209513	Gas control valve	VC 206/5-7, with parts 17,18,19
16	0020209513	Gas control valve	VC 306/5-7, with parts 17,18,19
16	0020209514	Gas control valve	VC 326/5-7, with parts 17,18,19
17	0020195462	Gasket	
18	509685	Screw, (PK10)	
19	981142	Sealing ring, (PK10)	VC 186/5-7
19	981142	Sealing ring, (PK10)	VC 206/5-7
19	981142	Sealing ring, (PK10)	VC 306/5-7
19	981140	Sealing ring, 3/4 (PK10)	VC 326/5-7
20	0020209515	Gas pipe, flexible	VC 186/5-7, with part 19
20	0020209515	Gas pipe, flexible	VC 206/5-7, with part 19
20	0020209515	Gas pipe, flexible	VC 306/5-7, with part 19
20	0020209516	Gas pipe, flexible	VC 326/5-7, with part 19
21	0020218787	Gas pipe (bottom)	VC 186/5-7, with parts 19,22
21	0020218787	Gas pipe (bottom)	VC 206/5-7, with parts 19,22
21	0020218787	Gas pipe (bottom)	VC 306/5-7, with parts 19,22
21	0020209518	Gas pipe	VC 326/5-7, with parts 19,22
22	0020136643	Screw, (PK10)	
23	0020221620	Gas valve, R3/4 x 20	with parts 24,26,27
24	0020186393	Handle, gas cock 3/4	
25	0020221257	Elbow	
26	080177	Nut	
27	080184	Compression ring 20mm	
28	-	-	not for these appliances
29	083435	Compression fitting, 15 x 15	not shown, for gas connection 15 x 15
29	083437	Compression fitting R3/4 x 15	not shown, for gas connection R3/4 x 15

## 07 Caseing parts

VC 186/5-7, VC 206/5-7, VC 306/5-7, VC 326/5-7



02-07-119

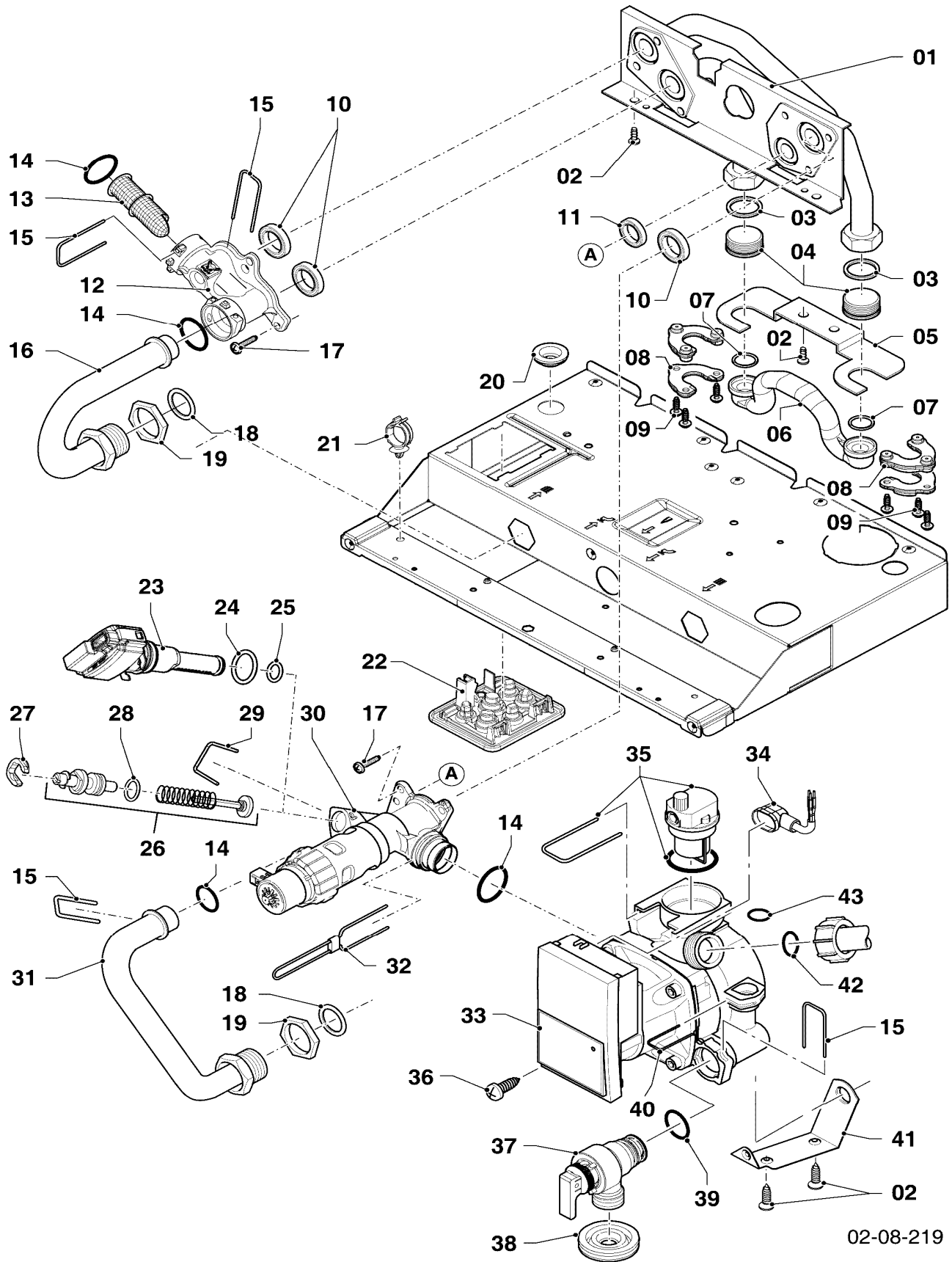
## 07 Casing parts

VC 186/5-7, VC 206/5-7, VC 306/5-7, VC 326/5-7

Pos.	Art.-No / Teile-Nr.	Part / Bezeichnung	Type, note / Typ, Bemerkung
		0207119	
01	0020209521	Casing panels, front (exclusive)	VC 186/5-7, with part 06
01	0020209521	Casing panels, front (exclusive)	VC 206/5-7, with part 06
01	0020209521	Casing panels, front (exclusive)	VC 306/5-7, with part 06
01	0020209522	Casing panels, front (exclusive)	VC 326/5-7, with part 06
02	0020223036	Cover	with parts 03,05,07,08
03	0020209523	Handle	with part 07
04	0020141349	Plate, product name	
05	0020144595	Hinge	with part 08
06	105839	Screw, (PK10)	
07	0020068136	Magnet, (PK2)	
08	193538	Screw, (PK10)	
09	0020144593	Casing parts, side panel	with part 10
10	0020136643	Screw, (PK10)	
11	0020144598	Support (expansion vessel)	with part 10
12	180987	Support	
12	0020130588	Fastening kit (screws + plugs)	not shown
13	0020144596	Adapter, 60/100	VC 186/5-7, with parts 14,17
13	0020144596	Adapter, 60/100	VC 206/5-7, with parts 14,17
13	0020144596	Adapter, 60/100	VC 306/5-7, with parts 14,17
13	0020170811	Adapter, 80/125	VC 326/5-7, with parts 14,17
14	981233	Lip seal EPDM (DN 60)	VC 186/5-7
14	981233	Lip seal EPDM (DN 60)	VC 206/5-7
14	981233	Lip seal EPDM (DN 60)	VC 306/5-7
14	981227	Sealing ring EPDM (DN 80)	VC 326/5-7
15	-	-	not for these appliances
16	-	-	not for these appliances
17	147392	Cap, (PK5)	

# 08a Hydraulic parts (Hydroblock)

VC 186/5-7, VC 206/5-7, VC 306/5-7, VC 326/5-7



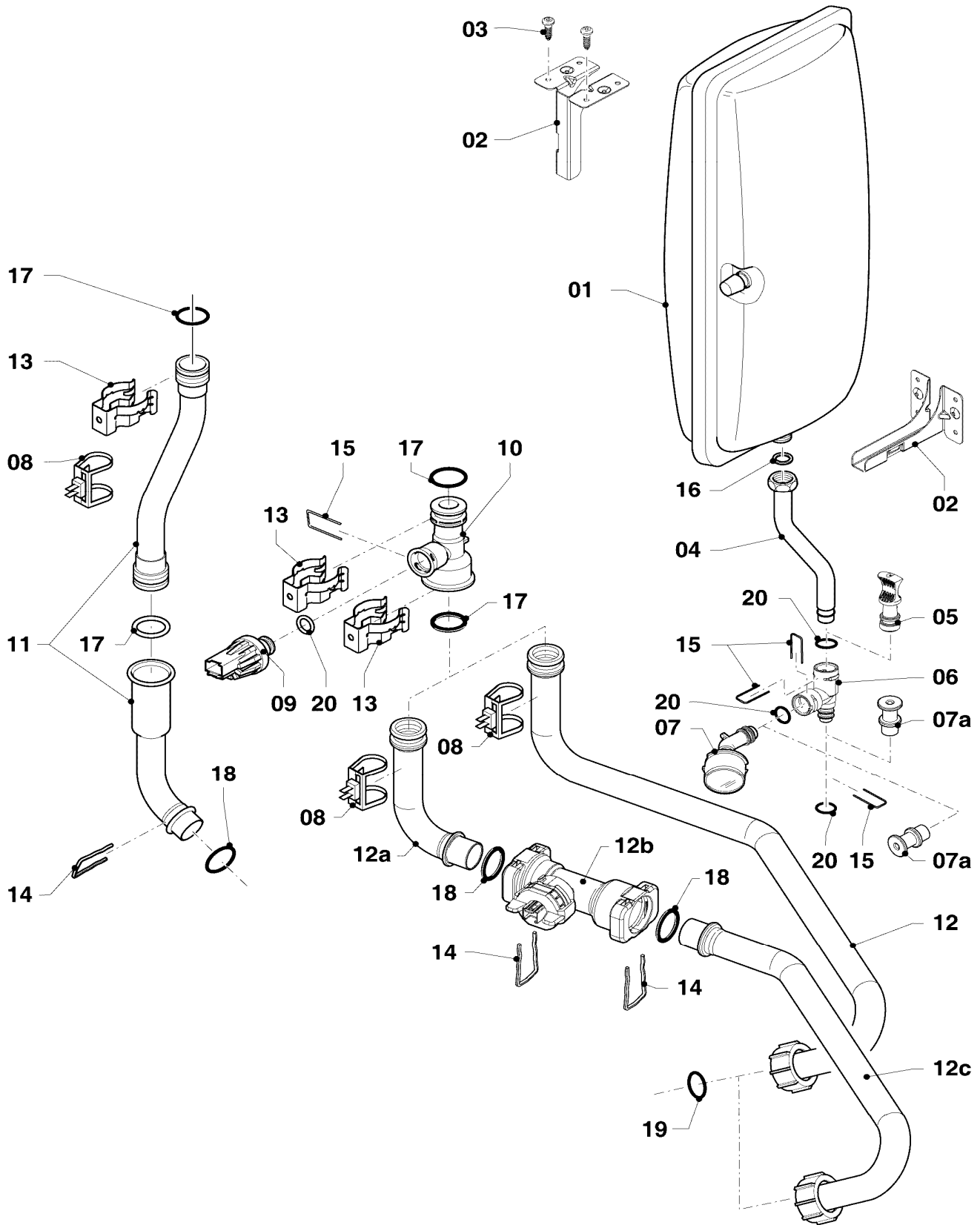
## 08a Hydraulic parts (Hydroblock)

VC 186/5-7, VC 206/5-7, VC 306/5-7, VC 326/5-7

Pos.	Art.-No / Teile-Nr.	Part / Bezeichnung	Type, note / Typ, Bemerkung
		0208219	
01	0020046782	Plate	with parts 02,10,11,14,17
02	0020107695	Screw, (PK10)	
03	981142	Sealing ring, (PK10)	
04	0020052070	Plug, (PK2)	with part 03
05	-	-	not available as spare part
06	0020209525	Bypass, tank	with part 07
07	0020218792	Sealing ring, (PK10)	
08	0020209527	Flange, connection storage	with part 09
09	0020218790	Screw, (PK10)	
10	193535	Gasket, Type-C (PK10)	
11	178969	Gasket, C-Type (PK10)	
12	0020140559	Connection, composite	with parts 10,13,14,15,17
13	179030	Filter	with parts 14,15
14	193537	O-ring, (PK10)	
15	178992	Clip, (PK10)	
16	179033	Pipe	with parts 14,18,19
17	0020133828	Screw, (PK10)	
18	981140	Sealing ring, 3/4 (PK10)	
19	0020144600	Nut, 3/4 (PK4)	
20	509120	Gasket, (PK10)	
21	0020144599	Clip, (PK5)	
22	0020144603	Cable bushing	
23	0020209529	Sensor, pressure difference	with parts 24,25,29
24	0020221622	O-ring, (PK10)	
25	0020209530	O-ring, (PK10)	
26	178980	Bypass	with part 28
27	0020221614	Adapter, bypass	
28	981165	O-ring, (PK10)	
29	0020209531	Clip, (PK10)	
30	0020209528	Diverter valve	with parts 10,11,14,15,17,18
31	180999	Pipe	with parts 14,18
32	178981	Clip	
33	0020209524	Pump	with parts 02,10,11,14,15,34,35,36,39,41,42,43
34	0020218794	Cable, pump (power supply)	
35	104521	Automatic de-aerator	
36	0020133833	Screw, (PK10)	
37	178985	Pressure relief valve, 3 bar	with parts 15,39
38	0020039723	Gasket	
39	178986	O-ring, (PK10)	
40	0020107694	Clip, (PK5)	
41	178984	Support	with parts 02,36
42	193539	O-ring, (PK10)	
43	178993	O-ring, (PK10)	

## 08b Hydraulic parts

VC 186/5-7, VC 206/5-7, VC 306/5-7, VC 326/5-7



02-08-201.03

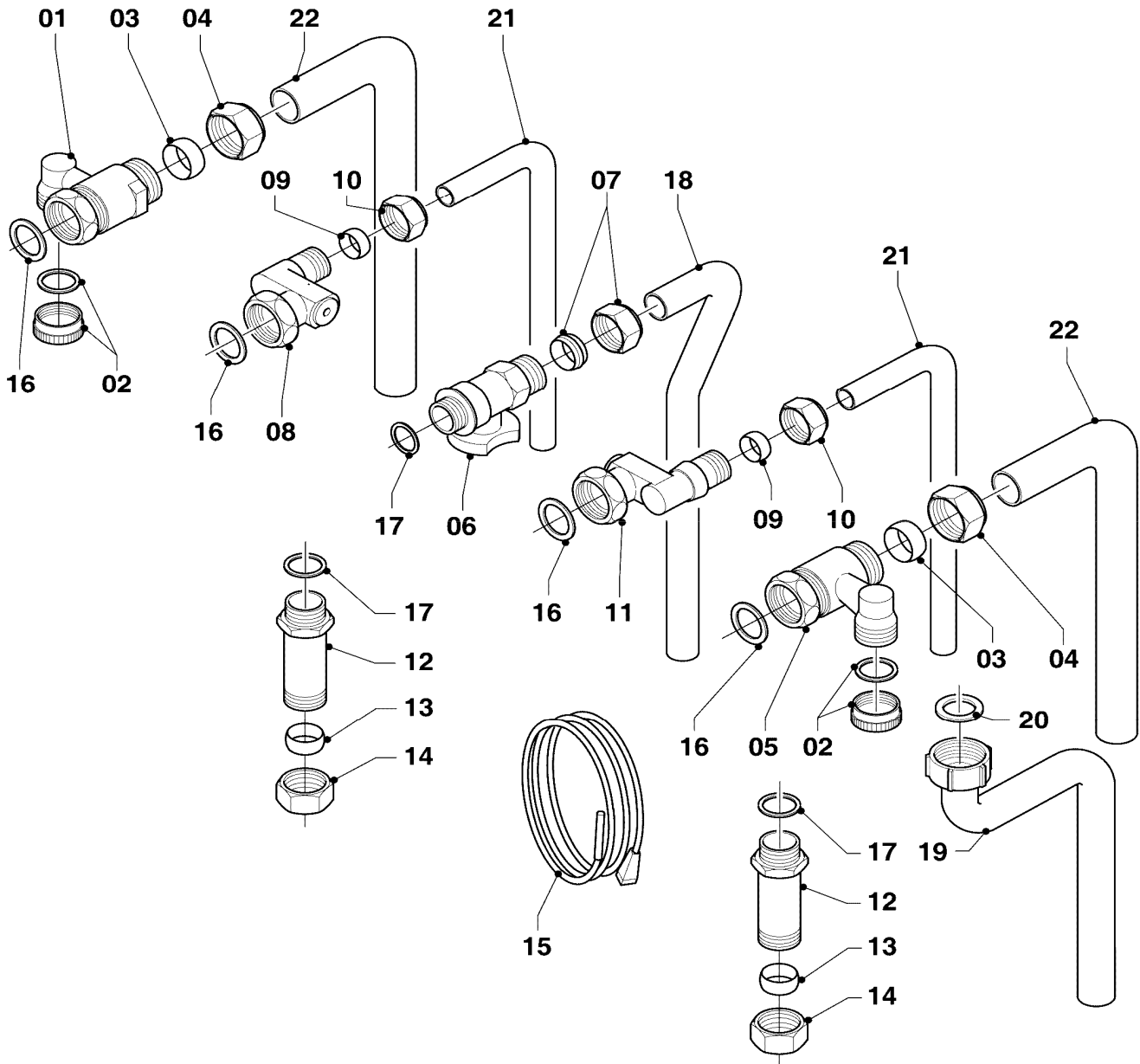
## 08b Hydraulic parts

VC 186/5-7, VC 206/5-7, VC 306/5-7, VC 326/5-7

Pos.	Art.-No / Teile-Nr.	Part / Bezeichnung	Type, note / Typ, Bemerkung
		0208201	
01	181051	Expansion vessel 10 ltr.	
02	0020144598	Support (expansion vessel)	with part 03
03	0020136643	Screw, (PK10)	
04	0020144605	Tube, expansion vessel	with parts 15,16,20
05	-	-	not for these appliances
06	0020144608	Adapter	with parts 15,20
07	0020144606	Pressure gauge	with parts 15,20
07a	-	-	not for these appliances
08	193592	Sensor NTC (CH flow/CH return)	
09	0020059717	Sensor (water pressure)	with parts 15,20
10	0020087657	Adapter	with parts 15,17,20
11	0020068956	Connection tube	VC 186/5-7, with parts 17,18
11	0020068956	Connection tube	VC 206/5-7, with parts 17,18
11	0020068956	Connection tube	VC 306/5-7, with parts 17,18
11	0020068957	Connection tube	VC 326/5-7, with parts 17,18
12	-	-	not for these appliances
12a	0020178129	Tube	with parts 13,14,17,18
12b	0020045923	Sensor (Vortex, DN15)	with part 18
12c	0020178130	Tube	with parts 14,18,19
13	103417	Clip, (PK10)	
14	178992	Clip, (PK10)	
15	0020107694	Clip, (PK5)	
16	981149	Sealing ring, (PK10)	
17	103415	O-ring, (PK10)	
18	193537	O-ring, (PK10)	
19	193539	O-ring, (PK10)	
20	178993	O-ring, (PK10)	

# 08c Connection parts (Acc.)

VC 186/5-7, VC 206/5-7, VC 306/5-7, VC 326/5-7



02-08-156.02



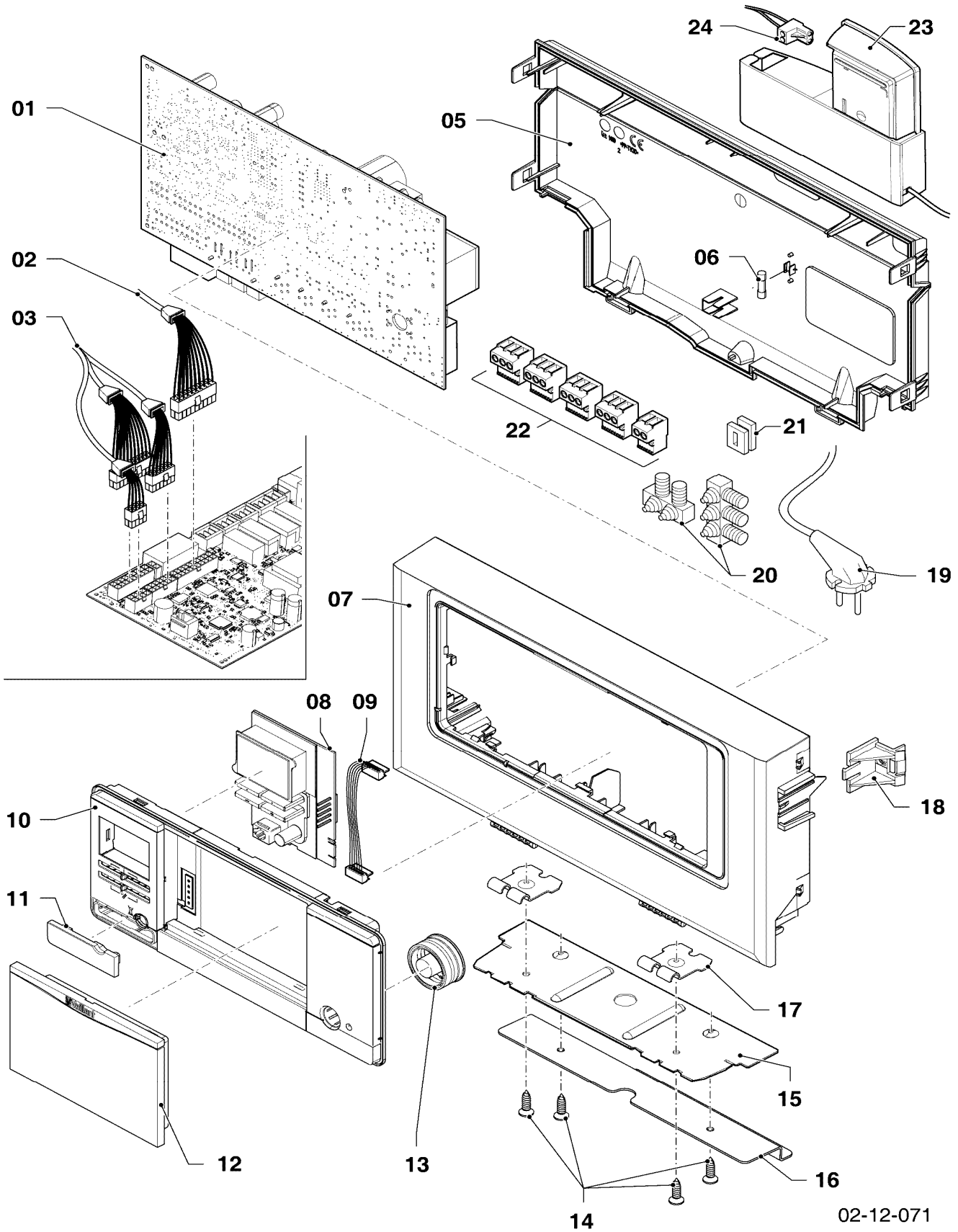
## 08c Connection parts (Acc.)

VC 186/5-7, VC 206/5-7, VC 306/5-7, VC 326/5-7

Pos.	Art.-No / Teile-Nr.	Part / Bezeichnung	Type, note / Typ, Bemerkung
		0208156	
01	0020057190	Valve	with parts 02-04,16
02	0020057200	Cap	
03	980603	Gasket 22mm	
04	111246	Nut	
05	0020057191	Valve	with parts 02-04,16
06	083435	Compression fitting, 15 x 15	not shown, for gas connection 15 x 15
06	083437	Compression fitting R3/4 x 15	not shown, for gas connection R3/4 x 15
07	-	-	not available as spare part
08	-	-	not for these appliances
09	-	-	not for these appliances
10	-	-	not for these appliances
11	-	-	not for these appliances
12	087941	Connection piece	storage connection
13	0020204557	Gasket (PK10)	storage connection
14	111214	Sleeve nut	storage connection
15	253583	Sensor (storage temperature)	storage connection
16	981140	Sealing ring, 3/4 (PK10)	
17	-	-	not for these appliances
18	-	-	not available as spare part
19	0020010297	Pipe, drainage pressure relief valve	with part 20
20	0020010298	Sealing ring (PK10)	
21	-	-	not available as spare part
22	-	-	not available as spare part

## 12 Control box

VC 186/5-7, VC 206/5-7, VC 306/5-7, VC 326/5-7



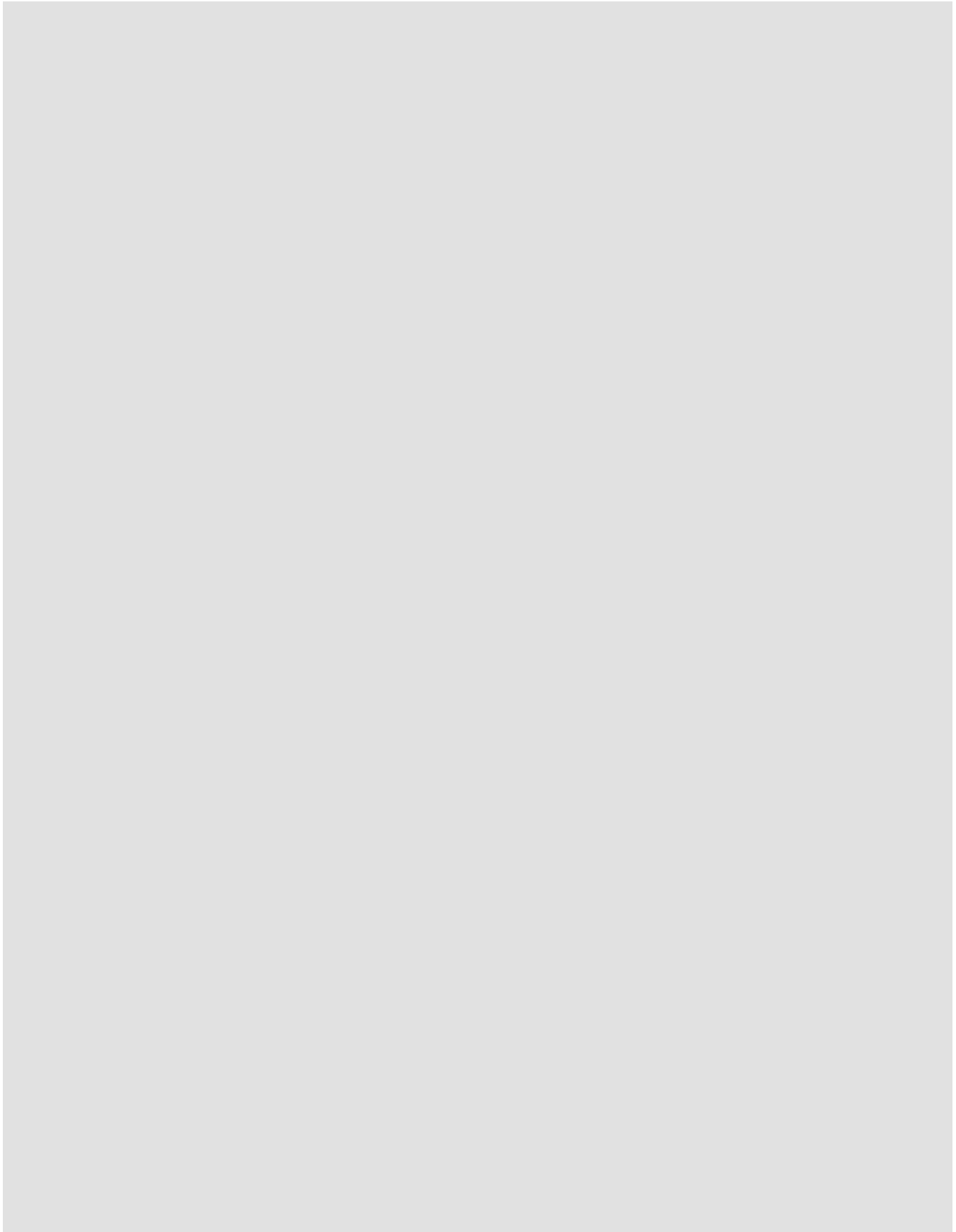
02-12-071

## 12 Control box

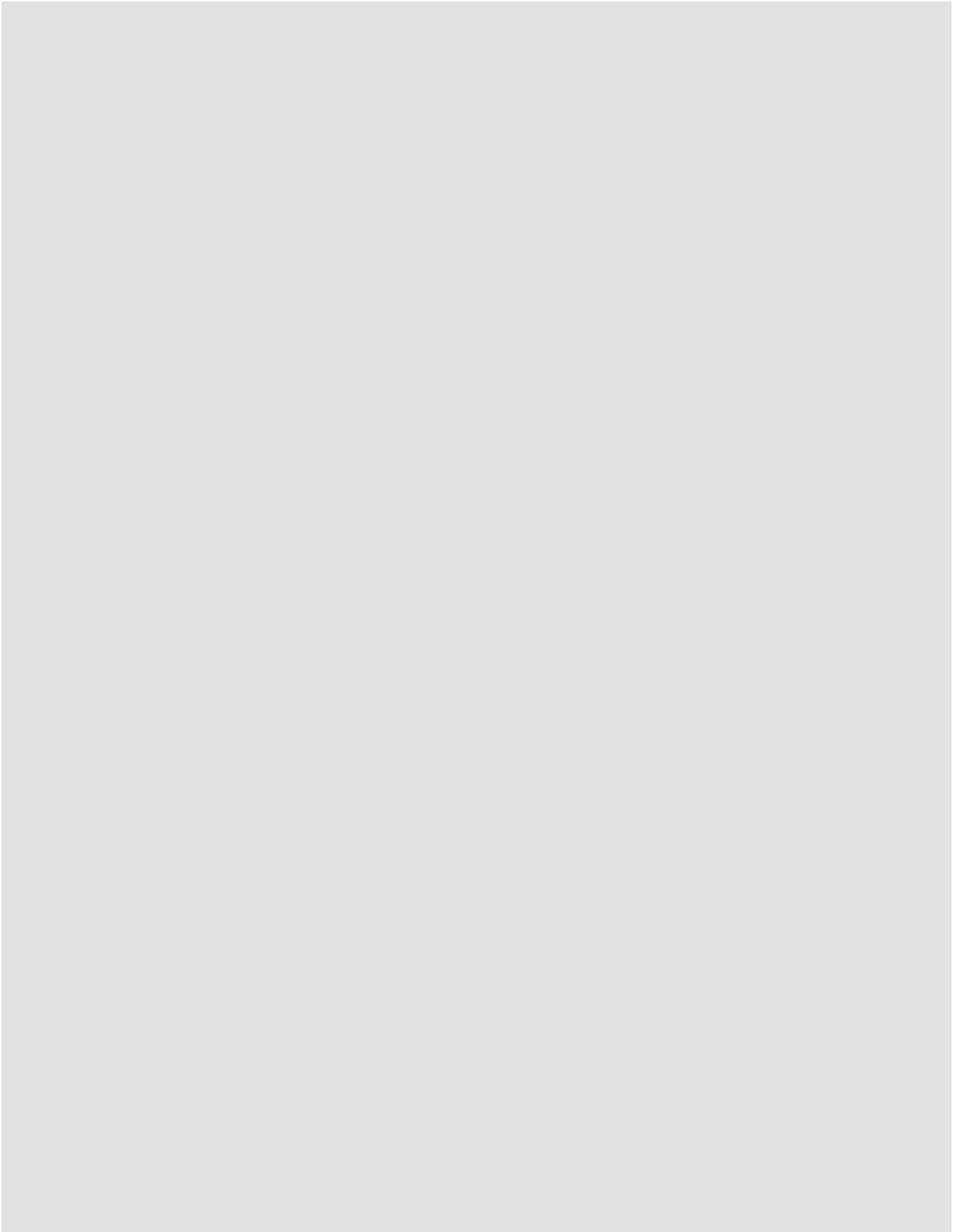
VC 186/5-7, VC 206/5-7, VC 306/5-7, VC 326/5-7

Pos.	Art.-No / Teile-Nr.	Part / Bezeichnung	Type, note / Typ, Bemerkung
		0212071	
01	0020186727	PCB	with part 22
02	0020209540	Wiring harness	
03	0020209532	Wiring harness	
05	0020136635	Casing back (incl. fuse T2H)	with part 06
06	0020067507	Fuse, 2,0 A T2H (PK10)	
07	0020136631	Casing, front (plus)	with parts 10,11,12,13
08	0020186728	Display	
09	0020136630	Cable, display	
10	-	-	not available as spare part, see pos. no. 07
11	0020136640	Cover diagnostic connector	
12	0020136633	Cover control (plus)	
13	0020136642	Button power switch (plus)	
14	0020136643	Screw, (PK10)	
15	-	-	VC 186/5-7, not for these appliances
15	-	-	VC 206/5-7, not for these appliances
15	-	-	VC 306/5-7, not for these appliances
15	0020144613	Support (extension)	VC 326/5-7, with part 14
16	-	-	not for these appliances
17	0020144611	Support, control box (PK2)	with part 14
18	193583	Support, (PK2)	VC 186/5-7
18	193583	Support, (PK2)	VC 206/5-7
18	193583	Support, (PK2)	VC 306/5-7
18	193584	Spacer, (PK2)	VC 326/5-7
19	-	-	not for these appliances
19	0020135164	Cable (power supply)	
20	078533	Cable fixation	
21	139438	Black plastic filler control box	
22	0020136646	Connector ProE (Set)	
23	0020209541	Support, VR900 (with power supply)	
24	0020209542	Cable, VR900 (eBUS)	

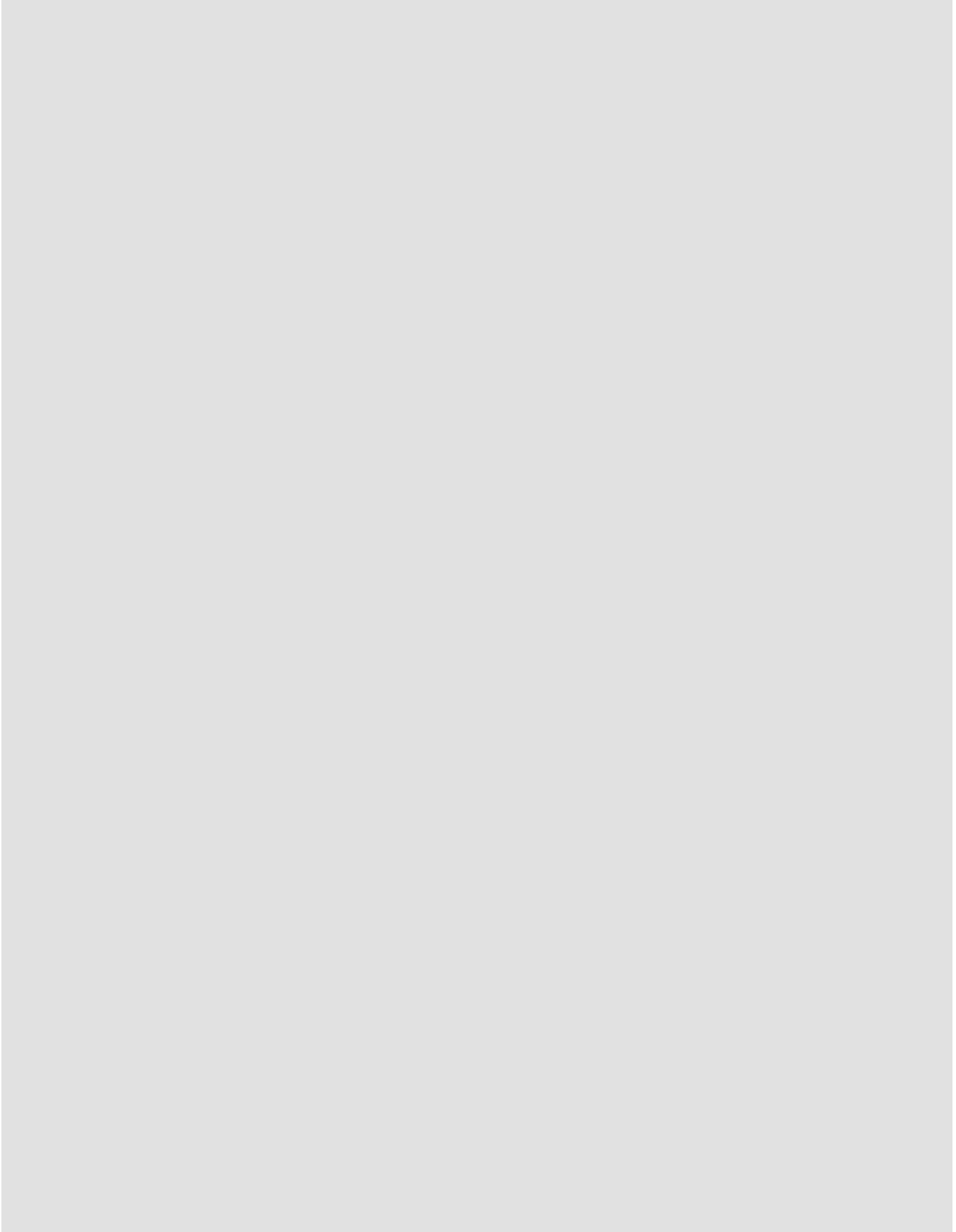
## Notes



## Notes



## Notes





**Vaillant GmbH**

Berghauser Str. 40 ■ 42859 Remscheid ■ Telefon 0 21 91/18-0  
Telefax 0 21 91/18-28 10 ■ [www.vaillant.de](http://www.vaillant.de) ■ [info@vaillant.de](mailto:info@vaillant.de)

0020224826\_01 DK 02/2016 Subject to alteration / Änderungen vorbehalten